

## **Roto-Fuse SS<sup>™</sup> Clutch (Stainless Steel Washdown Duty)**

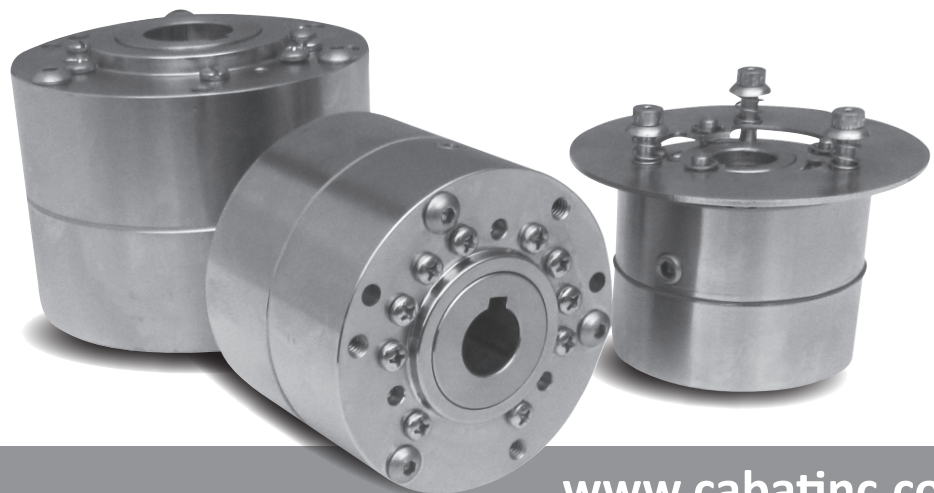
After years of designing and manufacturing torque-limiting clutches, Cabat<sup>®</sup> recognized a need to develop a stainless steel clutch line for those harsh environments and wash-down applications. These clutches are completely sealed and are resistant to chemicals and corrosion. The Roto-Fuse<sup>®</sup> SS provides driveline torque protection in one rotational direction and is a solid drive in the opposite.

### **Roto-Fuse SS<sup>™</sup> Clutch Features:**

- Sealed design
- Uni-directional
- Zero backlash
- Synchronized – single position reset
- Torque ranges available
- Non-ratcheting disengagement
- Full-positive drive in opposite direction of torque protection
- Symmetrical design allows for clockwise or counterclockwise rotation
- Externally adjustable

### **Roto-Fuse SS<sup>™</sup> Options:**

- 3 Different sizes
- 5/8" – 1 1/4" Bore ranges available with single keyway for a positive drive
- Optional external switch plate

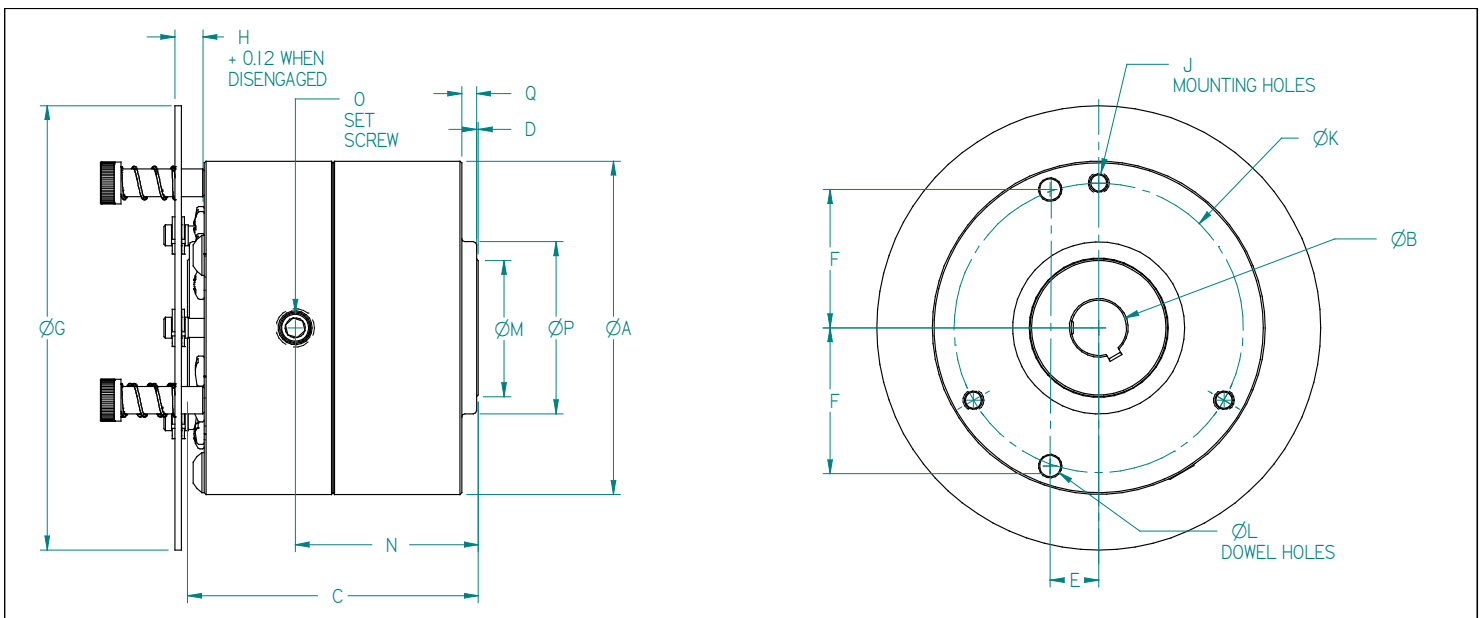


## Roto-Fuse SS™ Clutch Specifications:

Model No.	Torque Range	Inch lbs.	Dimensions (inches)														
			A	B	C	D	E	F	G	H	J,(No.) Size	B.C.	L	M	N	P	Q
A-10S	Min/Max	28/230	2.500	0.750	1.87	0.02	0.375	1.021	3.50	0.23	(3) 8-32	2.176	0.191	0.99	1.34	1.30	0.14
A-15S	Min/Max	45/430	3.000	1.000	2.32	0.02	0.438	1.245	4.00	0.27	(3) 10-24	2.608	0.191	1.24	1.65	1.55	0.14
A-20S	Min/Max	70-2150	4.000	1.250	2.79	0.02	0.500	1.705	5.00	0.33	(3) 1/4-20	3.554	0.253	1.62	2.03	2.25	0.21

## Roto-Fuse SS™ Clutch Order Information:

Standard bore sizes available in 1/8" increments. Custom bore sizes available upon request. To order, specify model number, bore size and torque. For example: model "A-10S", bore "05000", and specified torque "75" A-10S-05000-75. All torque values are expressed in inch pounds.



**Cabat**<sup>®</sup>

Racine, WI 53406

P: 262-554-7500 • F: 262-554-7503