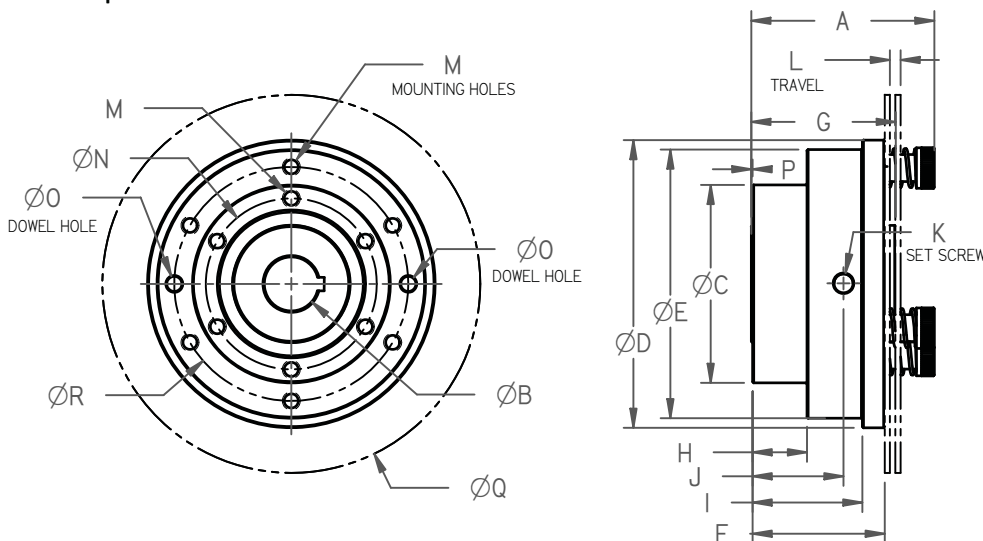


Automatic Overload Clutch™ (AO) Specifications:

Model No.	Torque Range	Inch lbs.	Min. Max.		Dimensions (Inches)																
			A	B	C	D	E	F	G	H	I	J	K Size	L	M (No.) Size	N B.C.	O (No.) Size	P	Q	R B.C.	
A-0075	A	15-40	1.65	0.750	1.750	2.72	2.41	1.34	1.48	0.37	1.06	0.84	(2) 5/16-18	0.075	(6) 10-24	1.432	(6) 10-24	0.30	4.00	2.125	
	B	30-75	1.78																		
	C	50-150	1.90																		
	D	115-205	2.03																		
A-0100	A	40-190	2.10	1.000	2.375	3.42	3.10	1.53	1.63	0.53	1.24	1.00	(2) 5/16-18	0.075	(6) 1/4-20	2.000	(6) 10-24	0.30	4.62	2.788	
	B	90-220	2.22																		
	C	140-325	2.22																		
	D	220-500	2.22																		
A-0125	A	180-430	2.53	1.250	2.750	4.00	3.68	1.87	2.00	0.75	1.53	1.27	(2) 3/8-16	0.080	(6) 1/4-20	2.375	(6) 1/4-20	0.03	5.25	3.250	
	B	250-570	2.53																		
	C	450-1000	2.53																		
A-0175	A	200-550	2.66	1.750	3.500	5.00	4.55	2.03	2.26	0.79	1.62	1.35	(2) 3/8-16	0.100	(6) 5/16-18	3.062	(6) 5/16-18	0.04	6.25	4.108	
	B	400-1200	2.66																		
	C	500-1800	2.66																		
	D	700-2500	2.91																		

Automatic Overload Clutch™ (AO) Order Information:

Standard bore sizes available in 1/8" increments. Custom bore sizes available upon request. To order, specify model number, bore size, torque range, and torque. For example: model "A-0075", bore "07500", torque range, "B", and specified torque "40" (A-0075-07500-B40). All torque values are expressed in inch pounds.



2012 Cabat® Incorporated
P.O. Box 1616
Racine, WI 53401-1616
P: 262-554-7500 • F: 262-554-7503